

Design
Pro LED

HARDSCAPE, DECK, STEP & BENCH LIGHTS



KICHLER

Discover LED like you've never seen it.

Unique Hardscape LED light fixtures that are:

- Available in multiple Kelvin temperature options: warm white 2700K, pure white 3000K and cool white 4200K
- Available in 1, 3, 6, and 9 LED fixtures
- Long-life LED light source — 40,000 hours at industry standard L70
- Tested to withstand the elements for years of enjoyment
- Easy to install
- Easily adapts to almost any hardscape, deck, step, or bench application
- Finishes compliment popular stone and decking options: Textured Architectural Bronze, Bronzed Brass, Copper, Gray, Sand and Textured White



Multiple Kelvin Temperatures



Warm White
2700K



Pure White
3000K

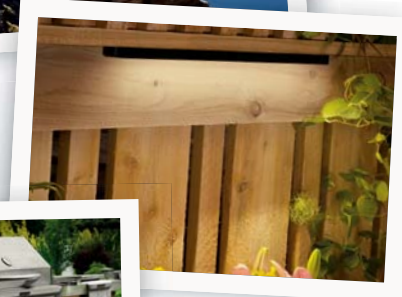
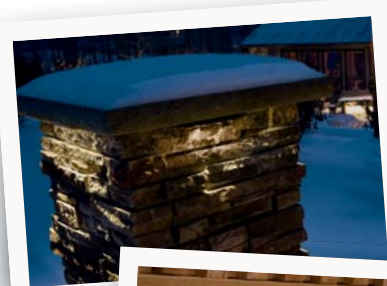


Cool White
4200K

Maximum Flexibility

Easy installation, low voltage usage, low profile (.66" wide) and low heat output of Design Pro LED enables them to be used in a variety of outdoor applications.

- Retaining walls of all types – new and existing construction
- Brick or stone columns
- Under all types of steps, including wood, composite, stone and brick, etc., with and without risers
- Under deck and chair/hand and fence rails
- Lips or the undersides of a wide variety of outdoor surfaces
- Pergolas
- Outdoor kitchen and bar areas (under lips and toe kicks)
- Raised beds/planters
- Boat docks (as permitted by local codes)
- Customize illumination by mounting farther back, for a scalloped effect, or forward for a more even effect





A built-in driver and an operable voltage range of 9-15V virtually eliminate voltage drop in every Design Pro LED Hardscape, Deck, Step & Bench Light fixture.



Easy to Install

Thoughtful design, so whether new or existing construction, you can design effectively and install it efficiently.



NEW CONSTRUCTION

LED Light fixture and stainless steel mounting bracket are preassembled and ready to install.

RETROFIT

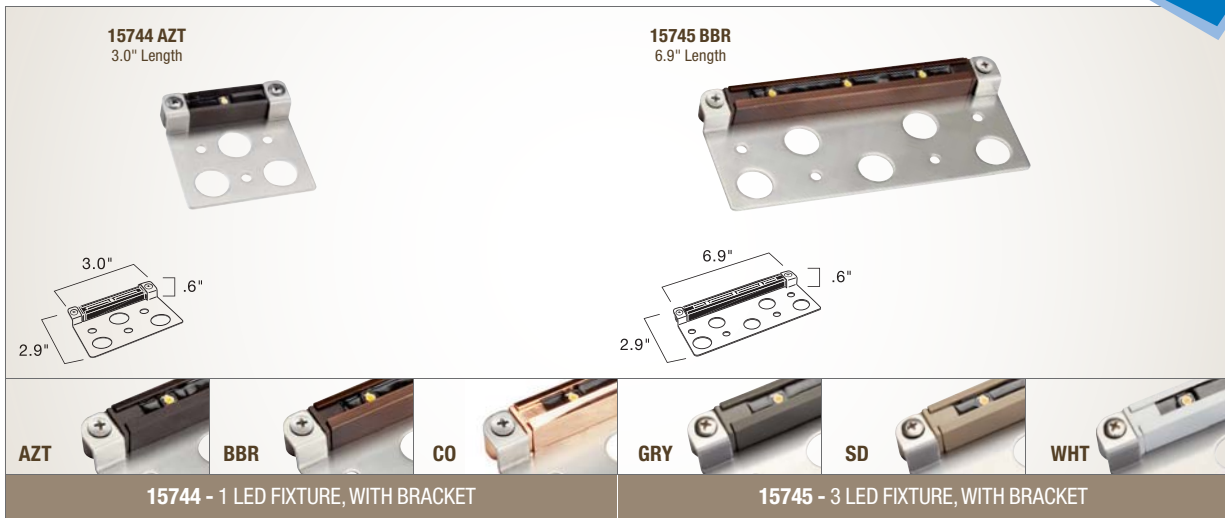
Need to mount on a flat or vertical surface? No problem. The available flat mount accessory brackets (15716 SS, 15717 SS, 15718 SS, 15719 SS) allow for a variety of retrofit and new build applications.

DECK, STEP & BENCH INSTALLATION

Don't need the brackets? Don't pay for them. Kichler provides the product options that make it convenient for your specific job. For non-hardscape applications, the threaded screw holders also allow for easy install. In fact you can mount these LED fixtures on any surface where you can drill two holes.

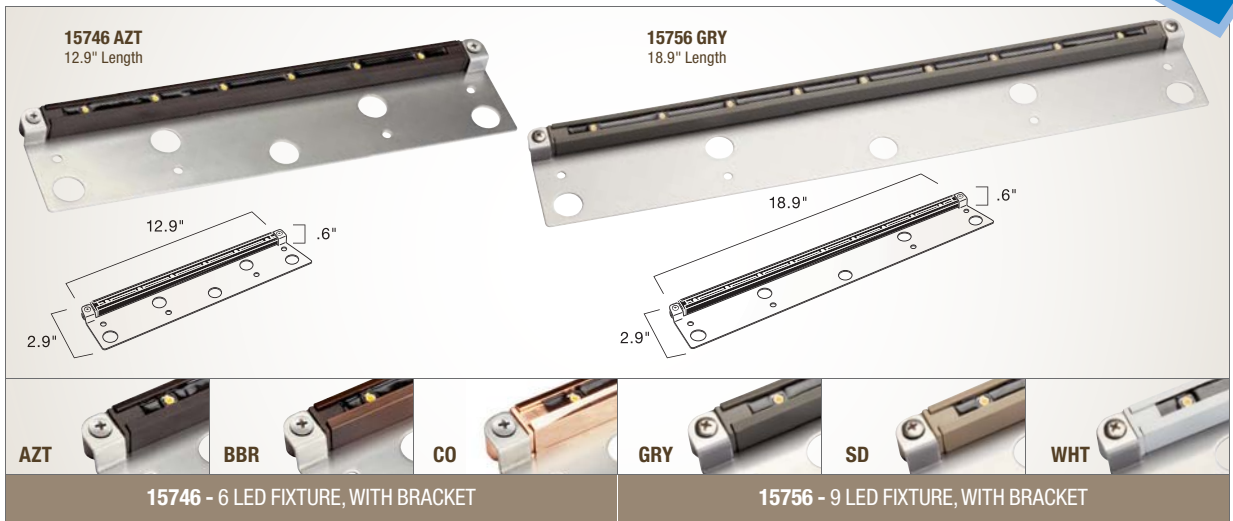
Hardscape Spacing Recommendations

Item ID	15734 (3")	15735 (6")	15736 (12")	15755 (18")
Mounting Height	RECOMMENDED SPACING (CENTER TO CENTER OF FIXTURE)			
12"	12"	2'	3'	4'
24"	9"	3'	4'	5'
36"	7"	4'	6'	8'



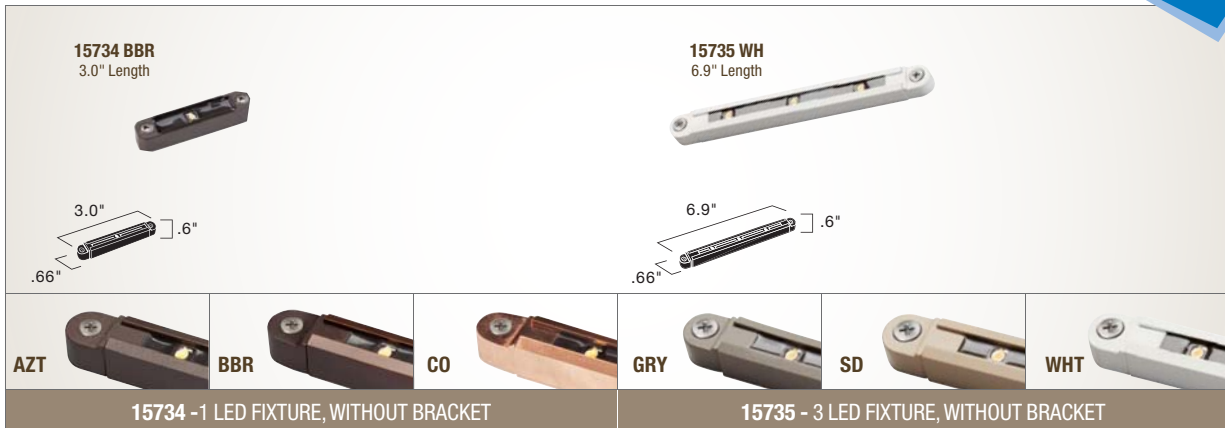
	15744 - 1 LED FIXTURE, WITH BRACKET			15745 - 3 LED FIXTURE, WITH BRACKET		
Ordering Guide	2700K Warm White	3000K Pure White	4200K Cool White	2700K Warm White	3000K Pure White	4200K Cool White
	15744 AZT27 15744 BBR27 15744 CO27 15744 GRY27 15744 SD27 15744 WHT27	15744 AZT30 15744 BBR30 15744 CO30 15744 GRY30 15744 SD30 15744 WHT30	15744 AZT42 15744 BBR42 15744 CO42 15744 GRY42 15744 SD42 15744 WHT42	15745 AZT27 15745 BBR27 15745 CO27 15745 GRY27 15745 SD27 15745 WHT27	15745 AZT30 15745 BBR30 15745 CO30 15745 GRY30 15745 SD30 15745 WHT30	15745 AZT42 15745 BBR42 15745 CO42 15745 GRY42 15745 SD42 15745 WHT42
Finish Guide	AZT - Textured Architectural Bronze (Marine grade powder coat) BBR - Bronzed Brass CO - Unfinished Copper GRY - Textured Gray (Marine grade powder coat) SD - Textured Sand (Marine grade powder coat) WHT - Textured White (Marine grade powder coat)			AZT - Textured Architectural Bronze (Marine grade powder coat) BBR - Bronzed Brass CO - Unfinished Copper GRY - Textured Gray (Marine grade powder coat) SD - Textured Sand (Marine grade powder coat) WHT - Textured White (Marine grade powder coat)		
Housing	Cast Aluminum, Cast Brass, Copper Plated Brass (Copper will naturally patina over time)			Cast Aluminum, Cast Brass, Copper Plated Brass (Copper will naturally patina over time)		
Light Source	1 Integrated High Output Nichia® LED, tightly binned for color uniformity, and constant current driver			3 Integrated High Output Nichia® LEDs, tightly binned for color uniformity, and constant current driver		
Beam Spread	55°			55°		
Color Temp. (CCT) & CRI	2700K (-280/+0) 3000K (-200/+175) 4200K (-400/+400) / 80s CRI			2700K (-280/+0) 3000K (-200/+175) 4200K (-400/+400) / 80s CRI		
Power Usage at 12V AC Input VA and Watts	0.19 W, 0.28 VA Multiply fixture VA by the number of fixtures used to determine size of transformer			.75 W, 1.3 VA Multiply fixture VA by the number of fixtures used to determine size of transformer		
Operating Voltage Range	9V-15V AC/DC with no loss in output due to constant current technology			9V-15V AC/DC with no loss in output due to constant current technology		
Lumen Main.	Tested to an L-70 of 40,000 hours			Tested to an L-70 of 40,000 hours		
Total Lumens & Efficacy	2700K = 8.4 Lm 2700K = 44 Lm/W 3000K = 8.6 Lm 3000K = 45 Lm/W 4200K = 11.0 Lm 4200K = 58 Lm/W			2700K = 34.7 Lm 2700K = 46 Lm/W 3000K = 44.5 Lm 3000K = 59 Lm/W 4200K = 51.9 Lm 4200K = 69 Lm/W		
Wiring	70" of usable #18-2, SPT-1W leads. Pro series wire connectors supplied			70" of usable #18-2, SPT-1W leads. Pro series wire connectors supplied		
Mounting	Stainless steel masonry bracket and mounting screws			Stainless steel masonry bracket and mounting screws		
Optional Acces.	15716 SS - 1 LED Accessory Bracket			15717 SS - 3 LED Accessory Bracket		
Notes	Subjected to Highly Accelerated Life Testing - 3rd party reliability testing Not for use with electronic transformers			Subjected to Highly Accelerated Life Testing - 3rd party reliability testing Not for use with electronic transformers		
Fixture Photometric* (fc)	Mounting Height	0'	1'	2'	3'	4'
	Foot candles at 12"	8.65	1.10	0.07	0.03	0.02
	Foot candles at 24"	2.08	0.98	0.30	0.06	0.04
	Foot candles at 36"	0.95	0.61	0.30	0.14	0.06
	Mounting Height	0'	1'	2'	3'	4'
	Foot candles at 12"	43.7	4.89	0.31	0.12	0.07
	Foot candles at 24"	10.7	4.87	1.29	0.12	0.08
	Foot candles at 36"	4.96	3.14	1.56	0.67	0.24

*Values stated for 3000K. +10% for 4200K. -10% for 2700K.



	15746 - 6 LED FIXTURE, WITH BRACKET			15756 - 9 LED FIXTURE, WITH BRACKET		
Ordering Guide	2700K Warm White	3000K Pure White	4200K Cool White	2700K Warm White	3000K Pure White	4200K Cool White
	15746 AZT27 15746 BBR27 15746 CO27 15746 GRY27 15746 SD27 15746 WHT27	15746 AZT30 15746 BBR30 15746 CO30 15746 GRY30 15746 SD30 15746 WHT30	15746 AZT42 15746 BBR42 15746 CO42 15746 GRY42 15746 SD42 15746 WHT42	15756 AZT27 15756 BBR27 15756 CO27 15756 GRY27 15756 SD27 15756 WHT27	15756 AZT30 15756 BBR30 15756 CO30 15756 GRY30 15756 SD30 15756 WHT30	15756 AZT42 15756 BBR42 15756 CO42 15756 GRY42 15756 SD42 15756 WHT42
Finish Guide	AZT - Textured Architectural Bronze (Marine grade powder coat) BBR - Bronzed Brass CO - Unfinished Copper GRY - Textured Gray (Marine grade powder coat) SD - Textured Sand (Marine grade powder coat) WHT - Textured White (Marine grade powder coat)			AZT - Textured Architectural Bronze (Marine grade powder coat) BBR - Bronzed Brass CO - Unfinished Copper GRY - Textured Gray (Marine grade powder coat) SD - Textured Sand (Marine grade powder coat) WHT - Textured White (Marine grade powder coat)		
Housing	Cast Aluminum, Cast Brass, Copper Plated Brass (Copper will naturally patina over time)			Cast Aluminum, Cast Brass, Copper Plated Brass (Copper will naturally patina over time)		
Light Source	6 Integrated High Output Nichia® LEDs, tightly binned for color uniformity, and constant current driver			9 Integrated High Output Nichia® LEDs, tightly binned for color uniformity, and constant current driver		
Beam Spread	55°			55°		
Color Temp. (CCT) & CRI	2700K (-280/+0) 3000K (-200/+175) 4200K (-400/+400) / 80s CRI			2700K (-280/+0) 3000K (-200/+175) 4200K (-400/+400) / 80s CRI		
Power Usage at 12V AC Input VA and Watts	1.4 W, 2.4 VA Multiply fixture VA by the number of fixtures used to determine size of transformer			2.2 W, 3.7 VA Multiply fixture VA by the number of fixtures used to determine size of transformer		
Operating Voltage Range	9V-15V AC/DC with no loss in output due to constant current technology			9V-15V AC/DC with no loss in output due to constant current technology		
Lumen Main.	Tested to an L-70 of 40,000 hours			Tested to an L-70 of 40,000 hours		
Total Lumens & Efficacy	2700K = 69.5 Lm 2700K = 49 Lm/W 3000K = 88 Lm 3000K = 63 Lm/W 4200K = 101.5 Lm 4200K = 73 Lm/W			2700K = 104.2 Lm 2700K = 47 Lm/W 3000K = 132 Lm 3000K = 60 Lm/W 4200K = 151.8 Lm 4200K = 69 Lm/W		
Wiring	70" of usable #18-2, SPT-1W leads. Pro series wire connectors supplied			70" of usable #18-2, SPT-1W leads. Pro series wire connectors supplied		
Mounting	Stainless steel masonry bracket and mounting screws			Stainless steel masonry bracket and mounting screws		
Optional Acces.	15718 SS - 6 LED Accessory Bracket			15719 SS - 9 LED Accessory Bracket		
Notes	Subjected to Highly Accelerated Life Testing - 3rd party reliability testing Not for use with electronic transformers			Subjected to Highly Accelerated Life Testing - 3rd party reliability testing Not for use with electronic transformers		
Fixture Photometric* (fc)	Mounting Height	0'	1'	2'	3'	4'
	Foot candles at 12"	65.10	9.74	0.60	0.22	0.14
	Foot candles at 24"	19.64	9.15	2.72	0.48	0.24
	Foot candles at 36"	9.16	5.82	2.74	1.00	0.30
	Mounting Height	0'	1'	2'	3'	4'
	Foot candles at 12"	80.40	12.00	1.08	0.36	0.21
	Foot candles at 24"	26.81	13.13	3.81	0.91	0.39
	Foot candles at 36"	13.51	8.43	4.55	1.78	0.62

*Values stated for 3000K. +10% for 4200K. -10% for 2700K.



15734 - 1 LED FIXTURE, WITHOUT BRACKET **15735 - 3 LED FIXTURE, WITHOUT BRACKET**

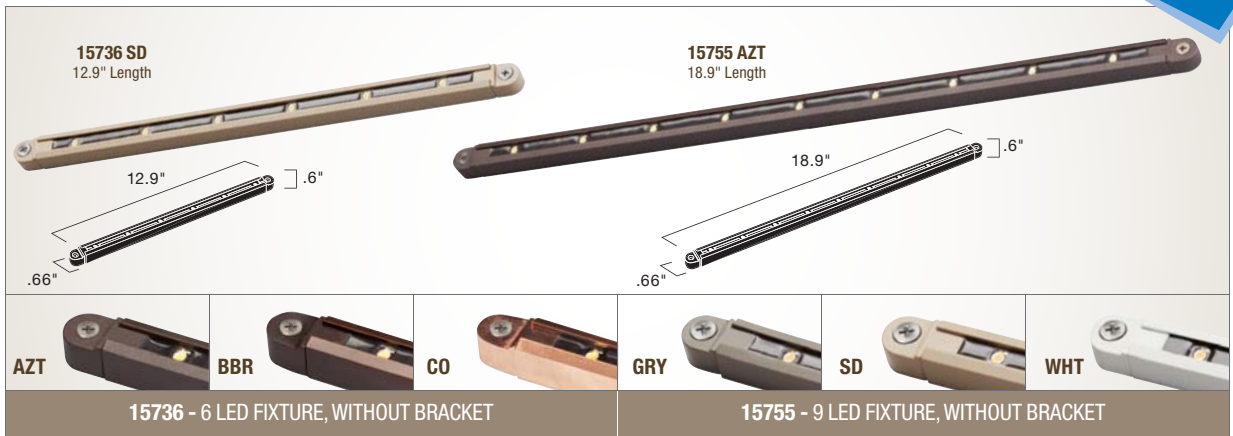
Ordering Guide & Finish	15734 AZT30 - Textured Architectural Bronze (Marine grade powder coat) 15734 BBR30 - Bronzed Brass 15734 CO30 - Unfinished Copper 15734 GRY30 - Textured Gray (Marine grade powder coat) 15734 SD30 - Textured Sand (Marine grade powder coat) 15734 WHT30 - Textured White (Marine grade powder coat)	15735 AZT30 - Textured Architectural Bronze (Marine grade powder coat) 15735 BBR30 - Bronzed Brass 15735 CO30 - Unfinished Copper 15735 GRY30 - Textured Gray (Marine grade powder coat) 15735 SD30 - Textured Sand (Marine grade powder coat) 15735 WHT30 - Textured White (Marine grade powder coat)																																																
Housing	Cast Aluminum, Cast Brass, Copper Plated Brass (Copper will naturally patina over time)	Cast Aluminum, Cast Brass, Copper Plated Brass (Copper will naturally patina over time)																																																
Light Source	1 Integrated High Output Nichia® LED, tightly binned for color uniformity, and constant current driver	3 Integrated High Output Nichia® LEDs, tightly binned for color uniformity, and constant current driver																																																
Beam Spread	55°	55°																																																
Color Temp. (CCT) & CRI	3000K (-200/+125) / 80s CRI	3000K (-200/+125) / 80s CRI																																																
Power Usage at 12V AC Input VA and Watts	0.19 W, 0.28 VA Multiply fixture VA by the number of fixtures used to determine size of transformer	.75 W, 1.3 VA Multiply fixture VA by the number of fixtures used to determine size of transformer																																																
Operating Voltage Range	9V-15V AC/DC with no loss in output due to constant current technology	9V-15V AC/DC with no loss in output due to constant current technology																																																
Lumen Main.	Tested to an L-70 of 40,000 hours	Tested to an L-70 of 40,000 hours																																																
Total Lumens & Efficacy	3000K = 8.6 Lm 3000K = 45 Lm/W	3000K = 44.5 Lm 3000K = 59 Lm/W																																																
Wiring	70" of usable #18-2, SPT-1W leads. Pro series wire connectors supplied	70" of usable #18-2, SPT-1W leads. Pro series wire connectors supplied																																																
Mounting	Stainless steel mounting screws	Stainless steel masonry bracket and mounting screws																																																
Optional Acces.	15716 SS - 1 LED Accessory Bracket	15717 SS - 3 LED Accessory Bracket																																																
Notes	Subjected to Highly Accelerated Life Testing - 3rd party reliability testing Not for use with electronic transformers	Subjected to Highly Accelerated Life Testing - 3rd party reliability testing Not for use with electronic transformers																																																
Fixture Photometric (fc)	<table border="1"> <thead> <tr> <th>Mounting Height</th> <th>0'</th> <th>1'</th> <th>2'</th> <th>3'</th> <th>4'</th> </tr> </thead> <tbody> <tr> <td>Foot candles at 12"</td> <td>8.65</td> <td>1.10</td> <td>0.07</td> <td>0.03</td> <td>0.02</td> </tr> <tr> <td>Foot candles at 24"</td> <td>2.08</td> <td>0.98</td> <td>0.30</td> <td>0.06</td> <td>0.04</td> </tr> <tr> <td>Foot candles at 36"</td> <td>0.95</td> <td>0.61</td> <td>0.30</td> <td>0.14</td> <td>0.06</td> </tr> </tbody> </table>	Mounting Height	0'	1'	2'	3'	4'	Foot candles at 12"	8.65	1.10	0.07	0.03	0.02	Foot candles at 24"	2.08	0.98	0.30	0.06	0.04	Foot candles at 36"	0.95	0.61	0.30	0.14	0.06	<table border="1"> <thead> <tr> <th>Mounting Height</th> <th>0'</th> <th>1'</th> <th>2'</th> <th>3'</th> <th>4'</th> </tr> </thead> <tbody> <tr> <td>Foot candles at 12"</td> <td>43.7</td> <td>4.89</td> <td>0.31</td> <td>0.12</td> <td>0.07</td> </tr> <tr> <td>Foot candles at 24"</td> <td>10.7</td> <td>4.87</td> <td>1.29</td> <td>0.12</td> <td>0.08</td> </tr> <tr> <td>Foot candles at 36"</td> <td>4.96</td> <td>3.14</td> <td>1.56</td> <td>0.67</td> <td>0.24</td> </tr> </tbody> </table>	Mounting Height	0'	1'	2'	3'	4'	Foot candles at 12"	43.7	4.89	0.31	0.12	0.07	Foot candles at 24"	10.7	4.87	1.29	0.12	0.08	Foot candles at 36"	4.96	3.14	1.56	0.67	0.24
Mounting Height	0'	1'	2'	3'	4'																																													
Foot candles at 12"	8.65	1.10	0.07	0.03	0.02																																													
Foot candles at 24"	2.08	0.98	0.30	0.06	0.04																																													
Foot candles at 36"	0.95	0.61	0.30	0.14	0.06																																													
Mounting Height	0'	1'	2'	3'	4'																																													
Foot candles at 12"	43.7	4.89	0.31	0.12	0.07																																													
Foot candles at 24"	10.7	4.87	1.29	0.12	0.08																																													
Foot candles at 36"	4.96	3.14	1.56	0.67	0.24																																													



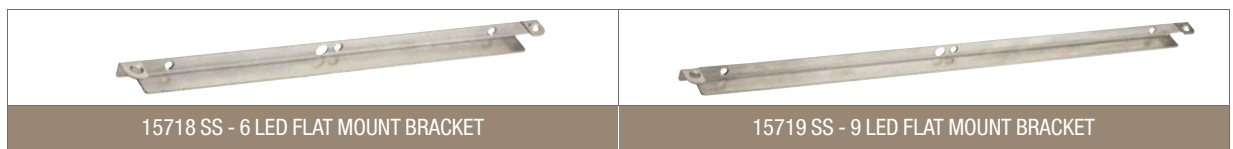
Fits	Fits 15734, 15744 (1 LED)	Fits 15735, 15745 (3 LED)
Dimensions	Width - .66", Length - 3.0", Height - .60"	Width - .66", Length - 6.9", Height - .60"
Finish	Stainless Steel	Stainless Steel
Notes	Mounting hardware included.	Mounting hardware included. U.S. Patent Pending.

DESIGN PRO LED 12V HARDSCAPE, DECK, STEP AND BENCH

POWERED BY
DESIGN PRO LED
TECHNOLOGY



	15736 - 6 LED FIXTURE, WITHOUT BRACKET	15755 - 9 LED FIXTURE, WITHOUT BRACKET																																																
Ordering Guide & Finish	15736 AZT30 - Textured Architectural Bronze (Marine grade powder coat) 15736 BBR30 - Bronzed Brass 15736 CO30 - Unfinished Copper 15736 GRY30 - Textured Gray (Marine grade powder coat) 15736 SD30 - Textured Sand (Marine grade powder coat) 15736 WHT30 - Textured White (Marine grade powder coat)	15755 AZT30 - Textured Architectural Bronze (Marine grade powder coat) 15755 BBR30 - Bronzed Brass 15755 CO30 - Unfinished Copper 15755 GRY30 - Textured Gray (Marine grade powder coat) 15755 SD30 - Textured Sand (Marine grade powder coat) 15755 WHT30 - Textured White (Marine grade powder coat)																																																
Housing	Aluminum, Brass, Copper Plated Brass (Copper will naturally patina over time)	Aluminum, Brass, Copper Plated Brass (Copper will naturally patina over time)																																																
Light Source	6 Integrated High Output Nichia® LEDs, tightly binned for color uniformity, and constant current driver	9 Integrated High Output Nichia® LEDs, tightly binned for color uniformity, and constant current driver																																																
Beam Spread	55°	55°																																																
Color Temp. (CCT) & CRI	3000K (-200/+125) / 80s CRI	3000K (-200/+125) / 80s CRI																																																
Power Usage at 12V AC Input VA and Watts	1.4 W, 2.4 VA Multiply fixture VA by the number of fixtures used to determine size of transformer	2.2 W, 3.7 VA Multiply fixture VA by the number of fixtures used to determine size of transformer																																																
Operating Voltage Range	9V-15V AC/DC with no loss in output due to constant current technology	9V-15V AC/DC with no loss in output due to constant current technology																																																
Lumen Main.	Tested to an L-70 of 40,000 hours	Tested to an L-70 of 40,000 hours																																																
Total Lumens & Efficacy	3000K = 88 Lm 3000K = 61 Lm/W	3000K = 132 Lm 3000K = 62 Lm/W																																																
Wiring	70" of usable #18-2, SPT-1W leads. Pro series wire connectors supplied	70" of usable #18-2, SPT-1W leads. Pro series wire connectors supplied																																																
Mounting	Stainless steel masonry bracket and mounting screws	Stainless steel masonry bracket and mounting screws																																																
Optional Acces.	15718 SS - 6 LED Accessory Bracket	15719 SS - 9 LED Accessory Bracket																																																
Notes	Subjected to Highly Accelerated Life Testing - 3rd party reliability testing Not for use with electronic transformers	Subjected to Highly Accelerated Life Testing - 3rd party reliability testing Not for use with electronic transformers																																																
Fixture Photometric (fc)	<table border="1"> <thead> <tr> <th>Mounting Height</th> <th>0'</th> <th>1'</th> <th>2'</th> <th>3'</th> <th>4'</th> </tr> </thead> <tbody> <tr> <td>Foot candles at 12"</td> <td>65.10</td> <td>9.74</td> <td>0.60</td> <td>0.22</td> <td>0.14</td> </tr> <tr> <td>Foot candles at 24"</td> <td>19.64</td> <td>9.15</td> <td>2.72</td> <td>0.48</td> <td>0.24</td> </tr> <tr> <td>Foot candles at 36"</td> <td>9.16</td> <td>5.82</td> <td>2.74</td> <td>1.00</td> <td>0.30</td> </tr> </tbody> </table>	Mounting Height	0'	1'	2'	3'	4'	Foot candles at 12"	65.10	9.74	0.60	0.22	0.14	Foot candles at 24"	19.64	9.15	2.72	0.48	0.24	Foot candles at 36"	9.16	5.82	2.74	1.00	0.30	<table border="1"> <thead> <tr> <th>Mounting Height</th> <th>0'</th> <th>1'</th> <th>2'</th> <th>3'</th> <th>4'</th> </tr> </thead> <tbody> <tr> <td>Foot candles at 12"</td> <td>80.40</td> <td>12.00</td> <td>1.08</td> <td>0.36</td> <td>0.21</td> </tr> <tr> <td>Foot candles at 24"</td> <td>26.81</td> <td>13.13</td> <td>3.81</td> <td>0.91</td> <td>0.39</td> </tr> <tr> <td>Foot candles at 36"</td> <td>13.51</td> <td>8.43</td> <td>4.55</td> <td>1.78</td> <td>0.62</td> </tr> </tbody> </table>	Mounting Height	0'	1'	2'	3'	4'	Foot candles at 12"	80.40	12.00	1.08	0.36	0.21	Foot candles at 24"	26.81	13.13	3.81	0.91	0.39	Foot candles at 36"	13.51	8.43	4.55	1.78	0.62
Mounting Height	0'	1'	2'	3'	4'																																													
Foot candles at 12"	65.10	9.74	0.60	0.22	0.14																																													
Foot candles at 24"	19.64	9.15	2.72	0.48	0.24																																													
Foot candles at 36"	9.16	5.82	2.74	1.00	0.30																																													
Mounting Height	0'	1'	2'	3'	4'																																													
Foot candles at 12"	80.40	12.00	1.08	0.36	0.21																																													
Foot candles at 24"	26.81	13.13	3.81	0.91	0.39																																													
Foot candles at 36"	13.51	8.43	4.55	1.78	0.62																																													



Fits	Fits 15736, 15746 (6 LED)	Fits 15755, 15756 (9 LED)
Dimensions	Width - .66", Length - 12.9", Height - .60"	Width - .66", Length - 18.9", Height - .60"
Finish	Stainless Steel	Stainless Steel
Notes	Mounting hardware included. U.S. Patent Pending.	Mounting hardware included. U.S. Patent Pending.

ACCESSORIES & TRANSFORMERS

CONNECTION ACCESSORIES

12-Gauge
Low Voltage
Cable



15501 BK – 100' length
15502 BK – 250' length
15505 BK – 500' length
15506 BK – 1000' length

10-Gauge
Low Voltage
Cable

15504 BK – 250' length

8-Gauge
Low Voltage
Cable

15503 BK – 250' length

Gel Filled
Wire Connector
(optional)



15579 BK
15589 BK

For connecting #8, 10, 12 & 18 gauge landscape wiring. Consult full line catalog or go to landscapelighting.com for approved combinations

Pro Series
Wire Connector



15529 BL

Bulk pack of 100 connectors

QUIC DISC®
Connector



15509 BK

For use with #12-2 or #10-2 low voltage cable only

LOW VOLTAGE TRANSFORMERS

Professional
Series
Transformers



15PR75 SS – 75 Wattage (VA)
15PR100 SS – 100 Wattage (VA)
15PR200 SS – 200 Wattage (VA)
15PR300 SS – 300 Wattage (VA)
15PRD600 SS – 600 Wattage (VA)
15PR600 SS – 600 Wattage (VA)
15PR900 SS – 900 Wattage (VA)
15PR1200 SS – 1200 Wattage (VA)

Features a stainless steel case

Plus Series
Transformers



15PL75 AZT – 75 Wattage (VA)
15PL100 AZT – 100 Wattage (VA)
15PL200 AZT – 200 Wattage (VA)
15PL300 AZT – 300 Wattage (VA)
15PL600 AZT – 600 Wattage (VA)
15PL900 AZT – 900 Wattage (VA)

Features a powder coated case

LOW VOLTAGE TRANSFORMERS

Manual Series
Transformers



15M100 AZT – 100 Wattage (VA)
15M200 AZT – 200 Wattage (VA)
15M300 AZT – 300 Wattage (VA)
15M600 AZT – 600 Wattage (VA)

Features a powder coated case

Economy
Transformers



15E60 BK – 60 Wattage (VA)
15E120 BK – 120 Wattage (VA)

TRANSFORMER ACCESSORIES

Mechanical
Transformer
Timer



15557 BK

Can be used with Professional and Plus Series Transformers

Digital
Transformer
Timer



15556 WH

Can be used with Professional and Plus Series Transformers

Remote Plug-In
Transformer
Photocell



15534 BK

Can be used with Professional and Plus Series Transformers

Plug-In
Transformer
Photocell



15565 BK

Can be used with Professional and Plus Series Transformers

Synchronizer
Device



15511 BK

Synchronize all transformers so they turn on and off at the same time

To locate a distributor and for complete warranty details, go to landscapelighting.com